

DS-2DF7284-AW

2 Megapixel Network Wiper IR Speed Dome



Key features

IR function:

- 0 Lux minimum illumination
- Up to 150m IR distance
- IR light MTBF reaching up to 30,000 hours

System function:

- High performance CMOS, up to 1920x1080 resolution
- Support smart tracking
- $\pm 0.1^\circ$ Preset Accuracy
- ONVIF(Open Network Video Interface Forum), CGI(Common Gateway Interface), PSIA(Physical Security Interoperability Alliance), to ensure greater interoperability between different platforms and compatibility
- 3D intelligent positioning function
- IP66 standard
- Support wiper
- 3D DNR
- Power-off memory function: restore PTZ & Lens status after reboot
- Scheduled PTZ movement

Smart function:

- Smart tracking modes: support manual/ panorama/ intrusion trigger/ line crossing trigger / Region entrance trigger / Region exiting
- Smart detection: support face detection, intrusion detection, line crossing detection, audio exception detection, region entrance, region exiting
- Smart recording: support edge recording, support smart search in smart NVR
- Smart image processing: support defog, HLC, smart IR, EIS
- Smart codec: low bit rate, ROI

Camera function:

- Auto iris, auto focus, auto white balance, backlight compensation and auto day & night switch
- Min. Illumination: 0.02Lux@(F1.6,AGC ON)(Color), 0.002Lux@(F1.6,AGC ON)(B/W)
- Support privacy mask with multiple colors and mosaics on polygonal areas

PTZ function:

- 360° endless pan range and -2°-90° tilt range (-10°-90° optional)
- 240°/s Pan Preset Speed and 200°/s Tilt Preset Speed
- 0.1°-160°/s Manual Pan Speed and 0.1°-120°/s Manual Tilt Speed
- 300 presets programmable; preset image freezing capability
- 8 patrols, up to 32 presets per patrol
- 4 patterns, with the recording time not less than 10 minutes per pattern
- Proportional zoom function
- Park action: auto call up of PTZ movement, after a defined time of inactivity
- 7 alarm inputs and 2 alarm outputs

Network function:

- H.264/MJPEG/MPEG4 video compression and the latest Davinci processing chip and platform
- Support H.264 encoding with Baseline/Main/High profile
- ROI(Region of Interest) encoding(support 24 areas with adjustable levels)
- Built-in Web server
- Micro SD/SDHC/SDXC card local storage
- Support up to 8 NAS storage; Edge recording(transmit the videos from SD card to the NAS after network resumed)
- HTTPS encryption and IEEE 802.1X port-based network access control
- Support three-stream; Basic and advanced video configuration; Real time video at 1080P/960P/720P
- Multiple network protocols supported: IPv4/Ipv6, HTTP, HTTPS, 802.1X, QoS, FTP, SMTP, UPnP, SNMP, DNS, DDNS, NTP, RTSP, RTP, TCP, UDP, IGMP, ICMP, DHCP, PPPoE
- 1 audio input and 1 audio output

Application Scenarios

It can be widely applied to places with no lights or weak lights requiring wide-area and high-definition monitoring, such as rivers, forests, highways, railways, airports, ports, sentries, squares, parks, scenic sites, streets, stations, large venues, outside of residential areas, etc.

Specifications

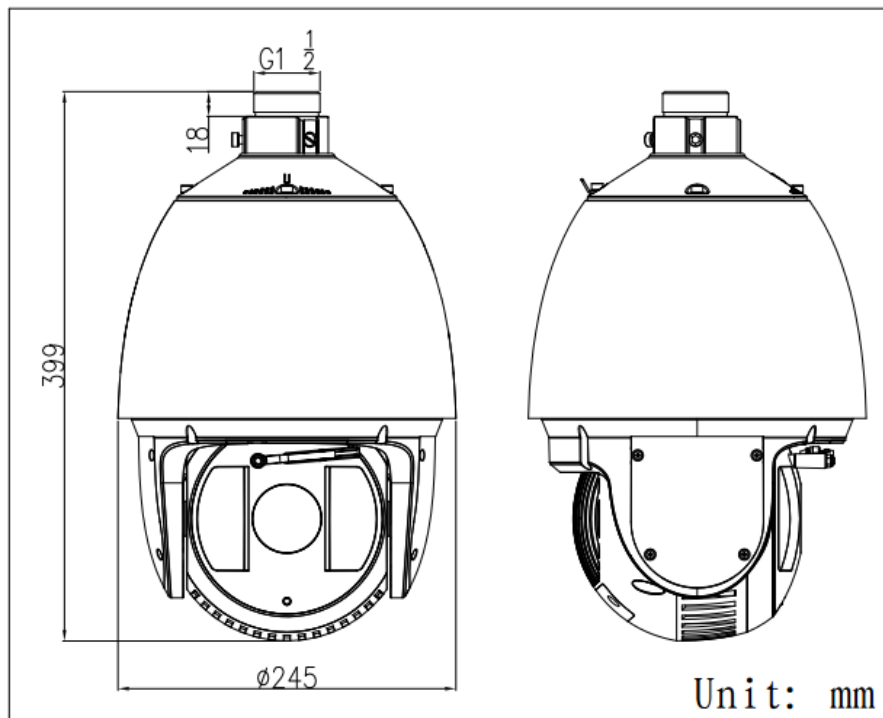
| Parameter | | Model |
|-----------|-------------------|---|
| | | DS-2DF7284-AW:24VAC,Wiper,Outdoor 2 Megapixel Network Wiper IR Speed Dome |
| Camera | Image Sensor | 1/2.8" Progressive Scan CMOS |
| | Effective Pixel | 2230K pixels |
| | Min. Illumination | Color : 0.3 lux (F1.6,1/30 sec, 50 IRE, AGC On) B/W : 0.02 lux (F1.6,1/30 sec, 50 IRE, AGC On) 0 lux with IR Color : 0.02 lux (F1.6, 1/1 sec, 50 IRE, AGC On) B/W : 0.002 lux (F1.6, 1/1 sec, 50 IRE, AGC On) |
| | | |

| | | |
|---------------------|-----------------------|--|
| | | 0 lux with IR |
| | White Balance | Auto / Manual / ATW/Indoor/Outdoor/Daylight lamp/Sodium lamp |
| | AGC | Auto / Manual |
| | S / N Ratio | ≥ 55dB |
| | 3D DNR | Support |
| | EIS | Support |
| | HLC | Support |
| | Defog | Support |
| | BLC | Support |
| | Digital WDR | Support |
| | Shutter Time | 50Hz: 1/1-1/30,000s 60Hz: 1/1-1/30,000s |
| | Day & Night | IR Cut Filter |
| | Digital Zoom | 16X |
| | Privacy Mask | 24 privacy masks programmable; optional multiple colors and mosaics |
| | Focus Mode | Auto / Semiautomatic / Manual |
| Lens | Focal Length | 4.7-94mm, 20x |
| | Zoom Speed | Approx.2.7s(Optical Wide-Tele) |
| | Angle of View | 58.3-3.2 degree (Wide-Tele) |
| | Min. Working Distance | 10-1500mm(Wide-Tele) |
| | Aperture Range | F1.6-F3.5 |
| Pan and Tilt | Pan Range | 360° endless |
| | Pan Speed | Pan Manual Speed: 0.1° -160°/s, Pan Preset Speed: 240°/s |
| | Tilt Range | -2°-90°(Auto Flip) -10°-90°(Auto Flip) optional |
| | Tilt Speed | Tilt Manual Speed: 0.1° -120°/s, Tilt Preset Speed: 200°/s |
| | Proportional Zoom | Rotation speed can be adjusted automatically according to zoom multiples |
| | Number of Preset | 300 |
| | Patrol | 8 patrols, up to 32 presets per patrol |
| | Pattern | 4 patterns, with the recording time not less than 10 minutes per pattern |
| | Power-off Memory | Support |
| | Park Action | Preset / Patrol / Pattern / Pan scan / Tilt scan / Random scan / Frame scan / Panorama scan |
| | PTZ Position Display | On / Off |
| | Preset Freezing | Support |
| | Scheduled Task | Auto scan / Frame scan / Random scan / Patrol / Pattern / Preset / Panorama scan / Tilt scan / Dome reboot / Dome adjust / Aux output |
| | Smart tracking | Manual/ Panorama/ Intrusion trigger/ Line crossing trigger / Region entrance trigger / Region exiting trigger |
| Wiper | Support | |

| | | |
|---------------------------|---------------------------------------|---|
| Infrared | IR Distance | 150m |
| | IR Intensity | Automatically adjusted, depending on the zoom ratio |
| Alarm | Alarm Input | 7 |
| | Alarm Output | 2 relay outputs, alarm response actions configurable |
| | Alarm Trigger | Face detection, Intrusion detection, Line crossing detection, Audio exception detection, Motion detection, Audio Exception Detection, Dynamic analysis, Tampering alarm, Network disconnect, IP address conflict, Storage exception |
| | Alarm Action | Preset, Patrol, Pattern, SD/SDHC card recording, Relay output, Notification on Client |
| Input/Output | Monitor Output | 1.0V[p-p] / 75Ω, NTSC (or PAL) composite, BNC |
| | Audio Input | 1 Mic in/Line in interface Line input: 2-2.4V[p-p]; output impedance: 1KΩ, ±10% |
| | Audio Output | 1 Audio output interface Line level, impedance: 600Ω |
| Network | Ethernet | 10Base-T / 100Base-TX, RJ45 connector |
| | Max. Image Resolution | 1920×1080 |
| | Main Stream | 50Hz: 25fps(1920×1080), 25fps(1280×960), 25fps(1280×720) 60Hz: 30fps(1920×1080), 30fps(1280×960), 30fps(1280×720) |
| | Sub Stream | 50Hz: 25fps(704×576), 25fps(352×288), 25fps(176×144) 60Hz: 30fps(704×480), 30fps(352×240), 30fps(176×120) |
| | Third Stream | 50Hz: 25fps(1920×1080), 25fps(1280×960), 25fps(1280×720), 25fps(704×576), 25fps(352×288), 25fps(176×144) 60Hz: 30fps(1920×1080), 30fps(1280×960), 30fps(1280×720), 30fps(704×480), 30fps(352×240), 30fps(176×120) |
| | Image Compression | H.264/MJPEG/MPEG4, H.264 encoding with Baseline/Main/High profile |
| | SVC | Support |
| | ROI encoding | Support 24 areas with adjustable levels |
| | Audio Compression | G.711ulaw/G.711alaw/G.726/MP2L2/G.722 |
| | Protocols | IPv4/IPv6, HTTP, HTTPS, 802.1X, QoS, FTP, SMTP, UPnP, SNMP, DNS, DDNS, NTP, RTSP, RTP, TCP, UDP, IGMP, ICMP, DHCP, PPPoE |
| | Number of Simultaneous Live View | Up to 20 |
| | Three Streams | Support |
| | Mini SD Memory Card | Manual REC / Alarm REC. Built-in Micro SD/SDHC/SDXC card Slot, up to 128GB Edge recording |
| | User/Host Level | Up to 32 users, 3 Levels: Administrator, Operator and User |
| | Security Measures | User authentication (ID and PW), Host authentication (MAC address) IP address filtering |
| System Integration | Interface for application programming | Open-ended API, support ONVIF(Profile G), PSIA and CGI Support Genetec |
| | Client | iVMS-4200 |
| | Web Browser | IE 7+, Chrome 18+, Firefox 5.0+, Safari 5.02+, support multi-language |

| | | |
|----------------|---|---|
| General | Menu Language | Chinese/English |
| | RS-485 Protocols | HIKVISION, Pelco-P, Pelco-D, self-adaptive |
| | Power | 24 VAC Max. 52W |
| | Working Temperature / Humidity | -30 °C -65 °C (-22 °F -149 °F) 90% or less |
| | Protection Level | IP66 standard TVS 4,000V lightning protection, surge protection and voltage transient protection |
| | Mounting | Various mounting modes optional |
| | Dimensions | Φ245×399mm (Φ9.65"×15.71") |
| | Weight (approx.) | 6Kg (13.22 lbs) |
| | Mount Option (only suitable for outdoor dome) | Long-arm wall mount: DS-1602ZJ; Corner mount: DS-1602ZJ-corner; Pole Mount: DS-1602ZJ-pole; Power box mount: DS-1602ZJ-box |

Dimensions



Order models

- DS-2DF7284-AW, 24VAC, Wiper, outdoor

Accessories



DS-1602ZJ Long-arm Wall Mount Bracket